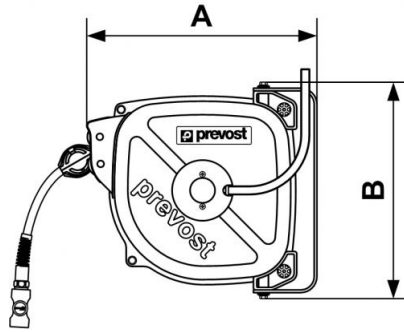


## DRFB/I Serie - Hose reel w/ safety retraction - Stainless steel - Polyurethane hose Ether base



<u>ID/OD (mm)</u> 10 x 14	<u>Length (m)</u> 12	<u>Coupler</u> ESI 07HE	<u>Flow rate (l/min)</u> 800
<u>Fixed inlet (mm)</u> 10 x 14	<u>Weight (kg)</u> 6.8	<u>Technology</u> Pipe locked with ratchet stop	<u>Max operating pressure</u> 12 bar
<u>Construction</u> AISI 304 stainless steel case	<u>Connection</u> 1 m of inlet supply hose	<u>Equipped with</u> Swivel bracket	

Description						
Reference	ID/OD (mm)	Length (m)	Coupler	Flow rate (l/min)	Fixed inlet (mm)	Weight (kg)
<b>DRFINB 1012ESHE</b>	10 x 14	12	ESI 07HE	800	10 x 14	6.8



### Dimensions

Reference	A mm	B mm
<b>DRFINB 1012ESHE</b>	370	337