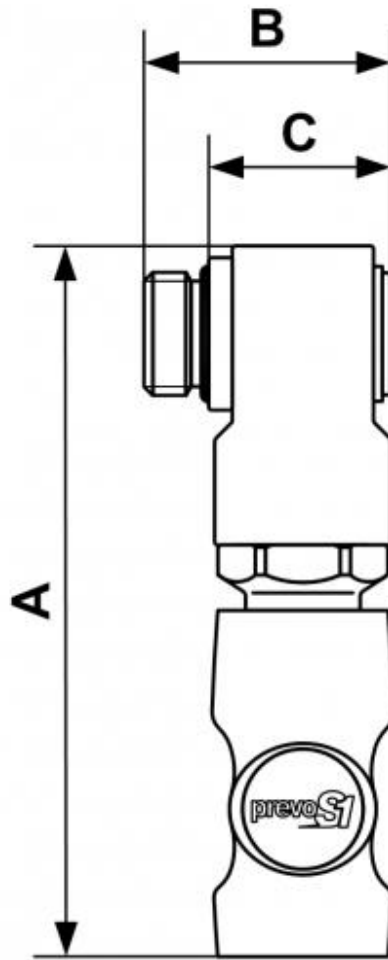


Male thread swivel coupler



<p><u>BSP male thread</u> G 1/2</p>	<p><u>Technology</u> "One push" safety system (avoids hose whip)</p>	<p><u>Operating pressure</u> 2 to 12 bar</p>	<p><u>Flow rate at 6 bar</u> 1 820 l/min ($\Delta P = 0,6$ bar)</p>
<p><u>ID Passage</u> 7,4 mm</p>	<p><u>Temperature</u> -15°C to +70°C</p>	<p><u>Construction</u> Composite body</p>	<p><u>Highlight</u> Anti-static Non scratch</p>

Description	
Reference	BSP male thread
ESI 071153SE	G 1/2



Dimensions

Reference	A mm	B mm	C mm
ESI 071153SE	120	41	29