

## Male thread swivel coupler



**BSP male thread**

G 1/2

**Technology**

"One push" safety system  
(avoids hose whip)

**Operating pressure**

2 to 12 bar

**Flow rate at 6 bar**

833 l/min ( $\Delta P$  : 0,6 bar)

**ID Passage**

6 mm

**Temperature**

-15°C to +70°C

**Construction**

Composite body

**Highlight**

Anti-static Non scratch

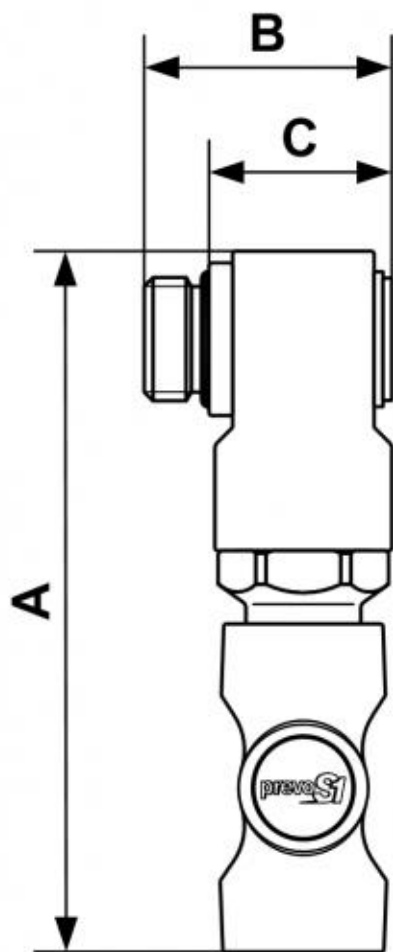
### Description

Reference

BSP male thread

**ISI 061153SE**

G 1/2



### Dimensions

Reference	A mm	B mm	C mm
<b>ISI 061153SE</b>	119	42	31