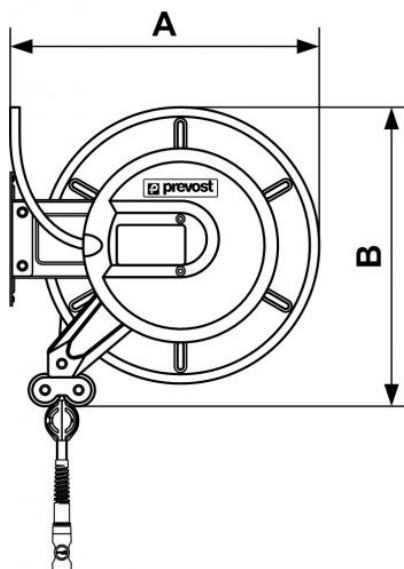


## DVO series - Medium - Polyurethane braided hose



<b>ID/OD (mm)</b> 10 x 14	<b>Length (m)</b> 25	<b>Coupler</b> ISI 06	<b>Flow rate (l/min)</b> 500
<b>Swivel inlet</b> G 3/8	<b>Weight (kg)</b> 17	<b>Technology</b> Pipe locked with ratchet stop	<b>Max operating pressure</b> 12 bar
<b>Construction</b> Epoxy-coated steel case	<b>Connection</b> 1 m of inlet supply hose	<b>Equipped with</b> Fixed bracket	

Description						
Reference	ID/OD (mm)	Length (m)	Coupler	Flow rate (l/min)	Swivel inlet	Weight (kg)
<b>DVO 1025ES</b>	10 x 14	25	ESI 07	500	G 3/8	17
<b>DVO 1025IS</b>	10 x 14	25	ISI 06	500	G 3/8	17



### Dimensions

Reference	A mm	B mm
<b>DVO 1025ES</b>	460	447
<b>DVO 1025IS</b>	460	447