

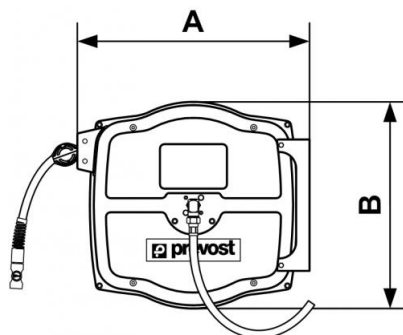
DGF Series - Large industrial type - Rubber hose



Description						
Reference	ID/OD (mm)	Length (m)	Coupler	Flow rate (l/min)	Swivel inlet (BSPF)	Weight (kg)
DGF 0810BS	8 x 14	10	BSI 06	500	G 3/8 F	17
DGF 0815BS	8 x 14	15	BSI 06	350	G 3/8 F	18.5
DGF 0820BS	8 x 14	20	BSI 06	260	G 3/8 F	20
DGF 0810ES	8 x 14	10	ESI 07	500	G 3/8 F	17
DGF 0815ES	8 x 14	15	ESI 07	350	G 3/8 F	18.5
DGF 0820ES	8 x 14	20	ESI 07	260	G 3/8 F	20
DGF 1010ES	10 x 17	10	ESI 07	900	G 3/8 F	18

Reference	ID/OD (mm)	Length (m)	Coupler	Flow rate (l/min)	Swivel inlet (BSPF)	Weight (kg)
DGF 1015ES	10 x 17	15	ESI 07	700	G 3/8 F	19
DGF 1310ES	13 x 20	10	ESI 07	1800	G 1/2 M	19
DGF 0810IS	8 x 14	10	ISI 06	500	G 3/8 F	17
DGF 0815IS	8 x 14	15	ISI 06	350	G 3/8 F	18.5
DGF 0820IS	8 x 14	20	ISI 06	260	G 3/8 F	20
DGF 1010IS	10 x 17	10	ISI 06	833	G 3/8 F	18
DGF 1015IS	10 x 17	15	ISI 06	700	G 3/8 F	19
DGF 1310IS	13 x 20	10	ISI 08	1800	G 1/2M	19
DGF 0810CS	8 x 14	10	CSI 06	500	G 3/8 F	17
DGF 0815CS	8 x 14	15	CSI 06	350	G 3/8 F	18.5
DGF 0820CS	8 x 14	20	CSI 06	250	G 3/8 F	20
DGF 1010CS	10 x 17	10	CSI 06	833	G 3/8 F	18
DGF 1015CS	10 x 17	15	CSI 06	700	G 3/8 F	19

Reference	ID/OD (mm)	Length (m)	Coupler	Flow rate (l/min)	Swivel inlet (BSP)	Weight (kg)
DGF 1310CS	13 x 20	10	CSI 08	1800	G 1/2 M	19



Dimensions

Reference	A mm	B mm
DGF 0810BS	520	462
DGF 0815BS	520	462
DGF 0820BS	520	462
DGF 0810ES	520	462
DGF 0815ES	520	462
DGF 0820ES	520	462
DGF 1010ES	520	462
DGF 1015ES	520	462
DGF 1310ES	520	462
DGF 0810IS	520	462
DGF 0815IS	520	462
DGF 0820IS	520	462
DGF 1010IS	520	462
DGF 1015IS	520	462
DGF 1310IS	520	462
DGF 0810CS	520	462

Reference	A mm	B mm
DGF 0815CS	520	462
DGF 0820CS	520	462
DGF 1010CS	520	462
DGF 1015CS	520	462
DGF 1310CS	520	462