

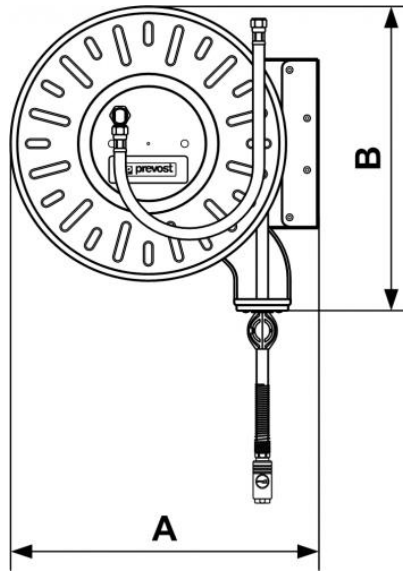
DLO series - Extra large - Rubber hose



| | | | |
|---|--|---|--|
| <p><u>ID/OD (mm)</u> 13 x 20</p> | <p><u>Length (m)</u> 30</p> | <p><u>Coupler</u> ESI 11EB</p> | <p><u>Flow rate (l/min)</u> 850</p> |
| <p><u>Swivel inlet BSPP male thread</u> G 1/2</p> | <p><u>Weight (kg)</u> 39</p> | <p><u>Technology</u> Pipe locked with ratchet stop</p> | <p><u>Max operating pressure</u> 12 bar</p> |
| <p><u>Construction</u> Epoxy-coated steel case</p> | <p><u>Connection</u> 1 m of inlet supply hose</p> | <p><u>Equipped with</u> Fixed bracket</p> | |

Description

| Reference | ID/OD (mm) | Length (m) | Coupler | Flow rate (l/min) | Swivel inlet BSP male thread | Weight (kg) |
|-------------------|------------|------------|----------|-------------------|------------------------------|-------------|
| DLO 1330ES | 13 x 20 | 30 | ESI 11EB | 850 | G 1/2 | 39 |
| DLO 1625ES | 16 x 23 | 25 | ESI 11EB | 1700 | G 1/2 | 39 |
| DLO 1920ES | 19 x 27 | 20 | ESI 11EB | 2400 | G 1 | 42 |
| DLO 1330IS | 13 x 20 | 30 | ISI 11EB | 850 | G 1/2 | 39 |
| DLO 1625IS | 16 x 23 | 25 | ISI 11EB | 1700 | G 1/2 | 41 |
| DLO 1920IS | 19 x 27 | 20 | ISI 11EB | 2400 | G 1 | 42 |



Dimensions

| Reference | A mm | B mm |
|-------------------|------|------|
| DLO 1330ES | 615 | 610 |
| DLO 1625ES | 615 | 610 |
| DLO 1920ES | 615 | 610 |
| DLO 1330IS | 615 | 610 |
| DLO 1625IS | 615 | 610 |
| DLO 1920IS | 615 | 610 |