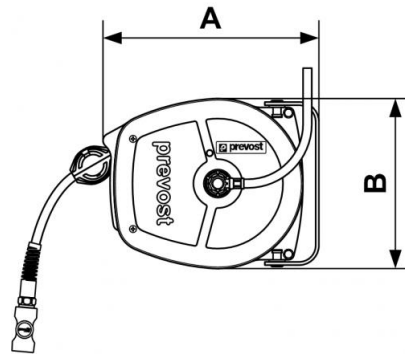


## DSF Series - small - Polyurethane hose polyester base



| Description           |            |            |         |                   |                   |             |
|-----------------------|------------|------------|---------|-------------------|-------------------|-------------|
| Reference             | ID/OD (mm) | Length (m) | Coupler | Flow rate (l/min) | Swivel inlet (mm) | Weight (kg) |
| <b>DSF<br/>0805BS</b> | 8 x 11     | 5          | BSI 06  | 650               | 8 x 11            | 3           |
| <b>DSF<br/>1003BS</b> | 10 x 14    | 3          | BSI 06  | 750               | 10 x 14           | 3           |
| <b>DSF<br/>0805ES</b> | 8 x 11     | 5          | ESI 07  | 650               | 8 x 11            | 3           |
| <b>DSF<br/>1003ES</b> | 10 x 14    | 3          | ESI 07  | 1100              | 10 x 14           | 3           |
| <b>DSF<br/>0805IS</b> | 8 x 11     | 5          | ISI 06  | 650               | 8 x 11            | 3           |
| <b>DSF<br/>1003IS</b> | 10 x 14    | 3          | ISI 06  | 833               | 10 x 14           | 3           |
| <b>DSF<br/>0805CS</b> | 8 x 11     | 5          | CSI 06  | 650               | 8 x 11            | 3           |

| Reference             | ID/OD (mm) | Length (m) | Coupler | Flow rate (l/min) | Swivel inlet (mm) | Weight (kg) |
|-----------------------|------------|------------|---------|-------------------|-------------------|-------------|
| <b>DSF<br/>1003CS</b> | 10 x 14    | 3          | CSI 06  | 833               | 10 x 14           | 3           |



## Dimensions

| Reference         | A mm | B mm |
|-------------------|------|------|
| <b>DSF 0805BS</b> | 275  | 218  |
| <b>DSF 1003BS</b> | 275  | 218  |
| <b>DSF 0805ES</b> | 275  | 218  |
| <b>DSF 1003ES</b> | 275  | 218  |
| <b>DSF 0805IS</b> | 275  | 218  |
| <b>DSF 1003IS</b> | 275  | 218  |
| <b>DSF 0805CS</b> | 275  | 218  |
| <b>DSF 1003CS</b> | 275  | 218  |