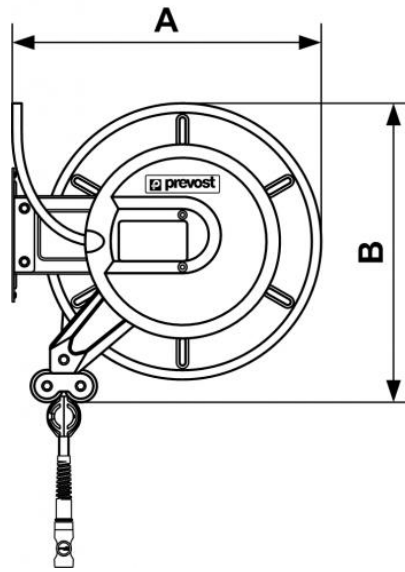


DVO series - Medium - Polyurethane braided hose



ID/OD (mm) 10 x 14	Length (m) 25	Coupler ESI 07	Flow rate (l/min) 500
Swivel inlet G 3/8	Weight (kg) 17	Technology Pipe locked with ratchet stop	Max operating pressure 12 bar
Construction Epoxy-coated steel case	Connection 1 m of inlet supply hose	Equipped with Fixed bracket	

Description						
Reference	ID/OD (mm)	Length (m)	Coupler	Flow rate (l/min)	Swivel inlet	Weight (kg)
DVO 1025ES	10 x 14	25	ESI 07	500	G 3/8	17
DVO 1025IS	10 x 14	25	ISI 06	500	G 3/8	17



Dimensions

Reference	A mm	B mm
DVO 1025ES	460	447
DVO 1025IS	460	447