

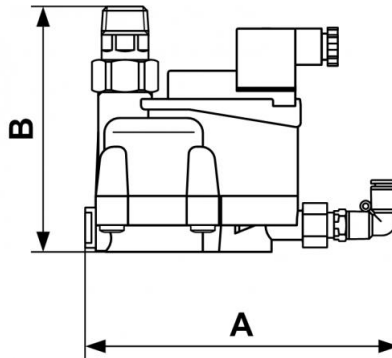
Automatic Drain Thread BSP



<p><u>Outlet Ø (mm)</u></p> <p>8</p>	<p><u>Removal capacity (l/h)</u></p> <p>5</p>	<p><u>Operating pressure (bar)</u></p> <p>0.2 to 16</p>	<p><u>Protection rating</u></p> <p>IP 65</p>
<p><u>Supply voltage</u></p> <p>230 V AC</p>	<p><u>Temperature</u></p> <p>+1°C to +60°C</p>	<p><u>Inlet BSPT male thread</u></p> <p>R 1/2</p>	<p><u>Operating pressure</u></p> <p>0 to 16 bar</p>
<p><u>ID Passage</u></p> <p>4,5 mm</p>	<p><u>Temperature</u></p> <p>+2°C to +55°C</p>	<p><u>Drain cycle</u></p> <p>0,5 - 45 min</p>	<p><u>Drain opening</u></p> <p>0,5 - 10 sec</p>
<p><u>Supply voltage</u></p> <p>24 - 220 V 50/60 HZ</p>			

Description

Reference	Outlet Ø (mm)	Removal capacity (l/h)	Operating pressure (bar)	Protection rating	Supply voltage	Temperature	Inlet BSPT male thread	Description
PDE 100	8	5	0.2 to 16	IP 65	230 V AC	+1°C to +60°C	R 1/2	Repair kit for PDE 100 automatic drain
PDE 100KR	-	-	-	-	-	-		



Dimensions

Reference	A mm	B mm
PDE 100	155.2	121.9
PDE 100KR		