

Filter-Regulator-Lubricator ALTO 3 on gantry - Medium pressure



Profile

European 7.4 mm

Filtration (µm)

40

Flow rate (l/min at 6

bar ΔP

0,6bar) = 1820

Inlet 1 adaptor

ERP 07

Outlet 2 couplings

ESI 07

Temperature

+5°C to +50 °C

Construction

Body : Aluminium
Polycarbonate bowl with
metallic protection

Highlight

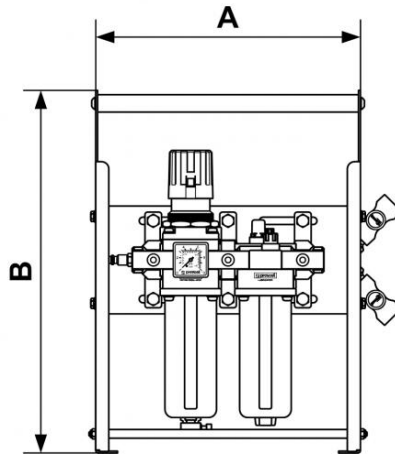
Easy to transport

Equipped with

Coupler and adaptor

Description

Reference	Profile	Filtration (µm)	Flow rate (l/min at 6 bar ΔP)	Inlet 1 adaptor	Outlet 2 couplings	Flow rate (l/min at 6 bar ΔP : 0,6bar)
PT HPES	European 7.4 mm	40	0,6bar) = 1820	ERP 07	ESI 07	833
PT HPIS	ISO 6150 B	40	0,6bar) = 2028	IRP 06	ISI 06	
PT HPIS8	ISO 6150 B	40		IRP 08	ISI 08	



Dimensions

Reference	A mm	B mm
PT HPES	303	417
PT HPIS	11.929	16.417
PT HPIS8	303	417