

## Hose holder



### Includes

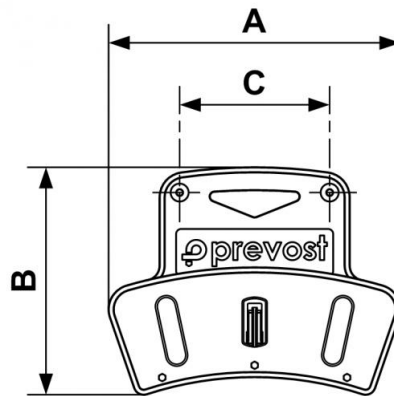
Hose holder supplied with: -  
1 hook for spray gun - 1 kit  
of screws and nuts - 2  
rubber wedges

### Highlight

Workstation ergonomics

## Description

Reference	Includes
<b>PLA HR</b>	Hose holder supplied with: - 1 hook for spray gun - 1 kit of screws and nuts - 2 rubber wedges
<b>PLA HRM</b>	Hose holder supplied with: - 1 magnet kit



### Dimensions

Reference	A mm	B mm	C mm
<b>PLA HR</b>	292	228	150
<b>PLA HRM</b>	292	228	150