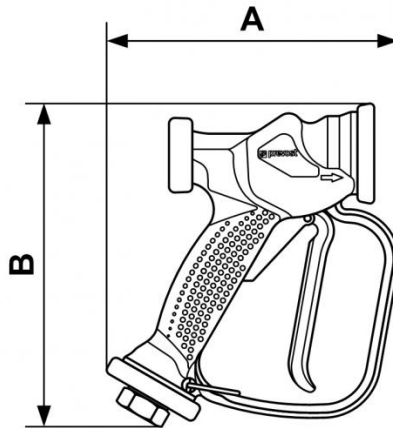


Stainless steel wash gun



Description						
Reference	BSPP female thread	Flow rate (at 12 bar)	Max operating pressure (bar)	Temperature (max (°C))	Construction	Weight (g)
PM JETI	G 1/2	50 l/min	12	80	Polyamid wash gun with polyamide coating PA 66 Out - PA 6 In, Stainless steel piston, spring and fitting	440



Dimensions

Reference	A mm	B mm
PM JETI	175	194