

Union tee - RPT ET



Quantity

5

For tube OD (mm)

4

Operating pressure

0 to 10 bar

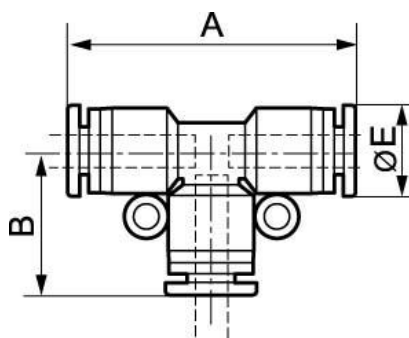
Temperature

0°C to + 60°C

Construction

Polymer and nickel-plated
brass

| Description | | |
|-------------|----------|------------------|
| Reference | Quantity | For tube OD (mm) |
| RPT ET0404P | 5 | 4 |
| RPT ET0606P | 5 | 6 |
| RPT ET0808P | 5 | 8 |
| RPT ET1010P | 4 | 10 |



Dimensions

Reference

RPT ET0404P

RPT ET0606P

RPT ET0808P

RPT ET1010P