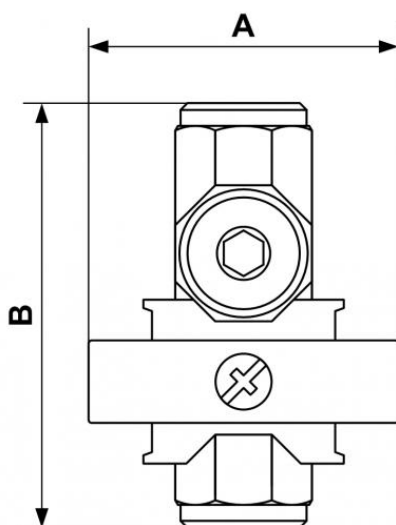


ALTO 2 - Outlet Diverter block



Description	
Reference	BSPP female thread
TE 2P	G 3/8



Dimensions

Reference

TE 2P