

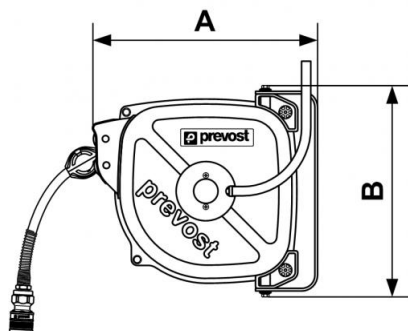
DRF/I series - 304 stainless steel - Polyurethane hose ether base



<u>ID/OD (mm)</u> 10 x 14	<u>Length (m)</u> 12	<u>Coupler</u> ELS 09	<u>Swivel inlet (mm)</u> 10 x 14
<u>Weight (kg)</u> 6.8	<u>Technology</u> Pipe locked with ratchet stop	<u>Max operating pressure</u> 10 bar	<u>Temperature</u> -15°C to +60°C
<u>Construction</u> AISI 304 stainless steel case	<u>Connection</u> 1 m of inlet supply hose	<u>Equipped with</u> Swivel bracket	

Description

Reference	ID/OD (mm)	Length (m)	Coupler	Swivel inlet (mm)	Weight (kg)
DRFI 1012LS	10 x 14	12	ELS 09	10 x 14	6.8



Dimensions

Reference	A mm	B mm
DRFI 1012LS	370	337