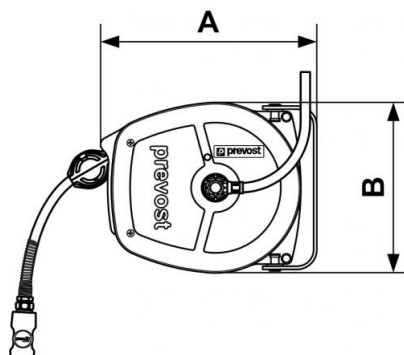


## DSF/I series - 304 stainless steel - Polyurethane braided hose with ether base



<b>ID/OD (mm)</b> 8 x 12	<b>Length (m)</b> 5	<b>Coupler</b> ELS 09	<b>Swivel inlet (mm)</b> 8 x 12
<b>Weight (kg)</b> 3	<b>Technology</b> Pipe locked with ratchet stop	<b>Max operating pressure</b> 10 bar	<b>Temperature</b> -15°C to +60°C
<b>Construction</b> AISI 304 stainless steel case	<b>Connection</b> 1 m of inlet supply hose	<b>Equipped with</b> Swivel bracket	

Description					
Reference	ID/OD (mm)	Length (m)	Coupler	Swivel inlet (mm)	Weight (kg)
<b>DSFI 0805LS</b>	8 x 12	5	ELS 09	8 x 12	3



### Dimensions

Reference	A mm	B mm
<b>DSFI 0805LS</b>	275	218