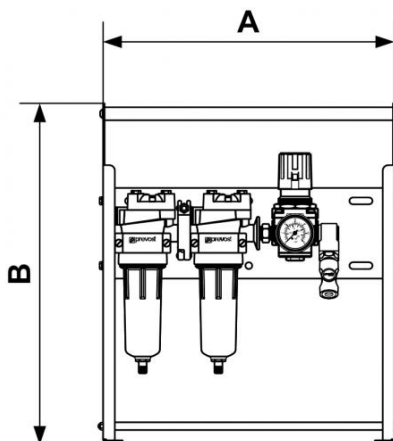


## Combination filter regulator on gantry



<p><b><u>Inlet BSPP female thread</u></b> G 1/2</p>	<p><b><u>Outlet 1 coupling</u></b> ESI 07</p>	<p><b><u>Flow rate (in m<sup>3</sup>/h at 7 bar)</u></b> 85</p>	<p><b><u>Operating pressure</u></b> 2 to 12 bar</p>
<p><b><u>Temperature</u></b> +1°C to +66°C</p>	<p><b><u>Construction</u></b> Aluminium body and bowl</p>	<p><b><u>Equipped with</u></b> Quick release safety couplings and adaptors prevoS1</p>	

Description			
Reference	Inlet BSPP female thread	Outlet 1 coupling	Flow rate (in m <sup>3</sup> /h at 7 bar)
<b>PTM BES</b>	G 1/2	ESI 07	85
<b>PTM BIS</b>	G 1/2	ISI 06	50



### Dimensions

Reference	A mm	B mm
<b>PTM BES</b>	448	522
<b>PTM BIS</b>	448	522