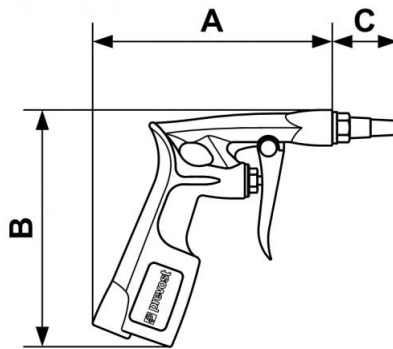


## Blow gun with short nozzle



<p><b><u>Nozzle</u></b> Short nozzle</p>	<p><b><u>BSPP thread</u></b> G 1/4 F</p>	<p><b><u>Air consumption (at 6 bar (m3/h))</u></b> 12</p>	<p><b><u>Max operating pressure</u></b> 10 bar</p>
<p><b><u>Construction</u></b> Aluminium</p>	<p><b><u>BSPP female thread</u></b> G 1/4</p>		

Description			
Reference	Nozzle	BSPP thread	Air consumption (at 6 bar (m3/h))
<b>BGM 104</b>	Short nozzle	G 1/4 F	12
<b>BGM B104</b>	Short replacement nozzle	G 1/4 M	-



### Dimensions

Reference	A mm	B mm	C mm
<b>BGM 104</b>	114	113	25
<b>BGM B104</b>			