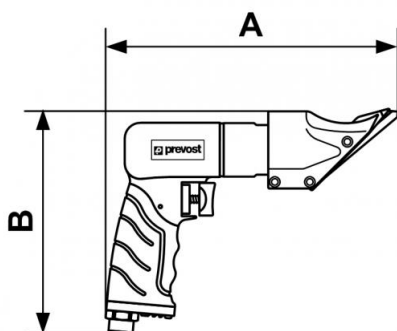


Air metal shears pistol



Consumption (l/min) 113	Power (CV - W) 0.45 CV - 330 W	Rotation speed (rpm) 2500	BSPT female thread R 1/4
Sound level (dB(A)) 92	Weight (kg) 1.3	Max operating pressure 6,2 bar	Applications Sawing
Highlight Safe and easy to use	Connection Supplied with 3 adaptors: ISO 6150 B; European 7,4 mm; ARO 210		

Description						
Reference	Consumption (l/min)	Power (CV - W)	Rotation speed (rpm)	BSPT female thread	Sound level (dB(A))	Weight (kg)
TCS 02500	113	0.45 CV - 330 W	2500	R 1/4	92	1.3



Dimensions

Reference	A mm	B mm
TCS 02500	215	170