

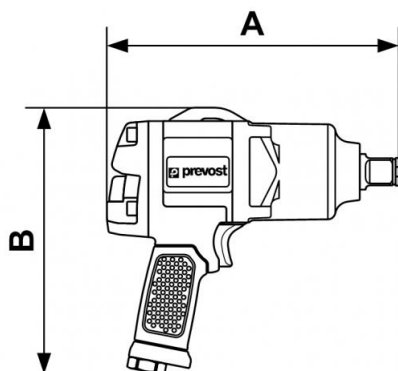
Aluminium impact wrench for intensive use - Twin hammer



<u>Square driver</u> 1"	<u>Max. unscrew torque (Nm)</u> 2441	<u>Consumption (l/min)</u> 255	<u>Rotation speed (rpm)</u> 5000
<u>BSPT female thread</u> R 1/2	<u>Sound level (dB(A))</u> 99.5	<u>Weight (kg)</u> 7.1	<u>Max operating pressure</u> 6,2 bar
<u>Applications</u> Fitting and removal of bolts and screws	<u>Highlight</u> Tightening capacity	<u>Connection</u> Supplied with 3 adaptors: ISO 6150 B; European 7,4 mm; ARO 210	

Description							
Reference	Square driver	Max. unscrew torque (Nm)	Consumption (l/min)	Rotation speed (rpm)	BSPT female thread	Sound level (dB(A))	Weight (kg)

TIW A012440	1"	2441	255	5000	R 1/2	99.5	7.1
----------------	----	------	-----	------	-------	------	-----



Dimensions

Reference	A mm	B mm
TIW A012440	274	251