

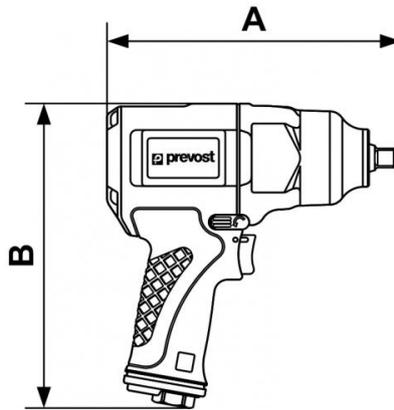
Composite air impact wrench - Reinforced Twin hammer



| | | | |
|---|--|--|---|
| <p><u>Square driver</u></p> <p>1/2"</p> | <p><u>Max. unscrew torque (Nm)</u></p> <p>1085</p> | <p><u>Consumption (l/min)</u></p> <p>190</p> | <p><u>Rotation speed (rpm)</u></p> <p>8000</p> |
| <p><u>BSPT female thread</u></p> <p>R 1/4</p> | <p><u>Sound level (dB(A))</u></p> <p>96</p> | <p><u>Weight (kg)</u></p> <p>2.3</p> | <p><u>Max operating pressure</u></p> <p>6,2 bar</p> |
| <p><u>Applications</u></p> <p>Fitting and removal of bolts and screws</p> | <p><u>Highlight</u></p> <p>Tightening capacity</p> | <p><u>Connection</u></p> <p>Supplied with 3 adaptors: ISO 6150 B; European 7,4 mm; ARO 210</p> | |

| Description | | | | | | | |
|-------------|---------------|--------------------------|---------------------|----------------------|--------------------|---------------------|-------------|
| Reference | Square driver | Max. unscrew torque (Nm) | Consumption (l/min) | Rotation speed (rpm) | BSPT female thread | Sound level (dB(A)) | Weight (kg) |

| | | | | | | | |
|------------------------|------|------|-----|-------|-------|------|------|
| TIW C380645 | 3/8" | 407 | 167 | 13500 | R 1/4 | 92.5 | 1.22 |
| TIW C121150 | 1/2" | 1085 | 190 | 8000 | R 1/4 | 96 | 2.3 |
| TIW C341630 | 3/4" | 1763 | 206 | 6000 | R 3/8 | 97.8 | 3.7 |



Dimensions

| Reference | A mm | B mm |
|--------------------|------|------|
| TIW C380645 | 152 | 186 |
| TIW C121150 | 198 | 207 |
| TIW C341630 | 222 | 223 |