

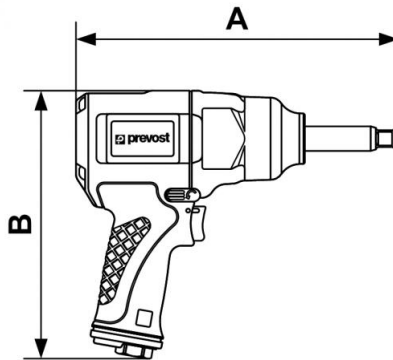
Composite air impact wrench with extended anvil - Reinforced Twin hammer



<p><u>Square driver</u> 1/2"</p>	<p><u>Max. unscrew torque (Nm)</u> 1085</p>	<p><u>Consumption (l/min)</u> 190</p>	<p><u>Rotation speed (rpm)</u> 8000</p>
<p><u>BSPT female thread</u> R 1/4</p>	<p><u>Sound level (dB(A))</u> 98</p>	<p><u>Weight (kg)</u> 2.38</p>	<p><u>Max operating pressure</u> 6,2 bar</p>
<p><u>Applications</u> Fitting and removal of bolts and screws</p>	<p><u>Highlight</u> Tightening capacity</p>	<p><u>Connection</u> Supplied with 3 adaptors: ISO 6150 B; European 7,4 mm; ARO 210</p>	

Description

Reference	Square driver	Max. unscrew torque (Nm)	Consumption (l/min)	Rotation speed (rpm)	BSPT female thread	Sound level (dB(A))	Weight (kg)
TIW C121150R	1/2"	1085	190	8000	R 1/4	98	2.38
TIW C341630R	3/4"	1763	206	6000	R 3/8	97.8	4.2



Dimensions

Reference	A mm	B mm
TIW C121150R	249	207
TIW C341630R	349	223