

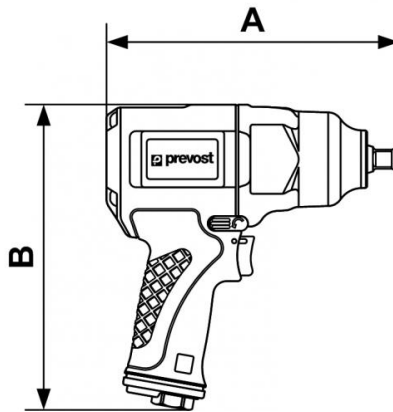
Composite air impact wrench - Reinforced Twin hammer



<u>Square driver</u> 3/8"	<u>Max. unscrew torque (Nm)</u> 407	<u>Consumption (l/min)</u> 167	<u>Rotation speed (rpm)</u> 13500
<u>BSPT female thread</u> R 1/4	<u>Sound level (dB(A))</u> 92.5	<u>Weight (kg)</u> 1.22	<u>Max operating pressure</u> 6,2 bar
<u>Applications</u> Fitting and removal of bolts and screws	<u>Highlight</u> Tightening capacity	<u>Connection</u> Supplied with 3 adaptors: ISO 6150 B; European 7,4 mm; ARO 210	

Description							
Reference	Square driver	Max. unscrew torque (Nm)	Consumption (l/min)	Rotation speed (rpm)	BSPT female thread	Sound level (dB(A))	Weight (kg)

TIW C380645	3/8"	407	167	13500	R 1/4	92.5	1.22
TIW C121150	1/2"	1085	190	8000	R 1/4	96	2.3
TIW C341630	3/4"	1763	206	6000	R 3/8	97.8	3.7



Dimensions

Reference	A mm	B mm
TIW C380645	152	186
TIW C121150	198	207
TIW C341630	222	223