

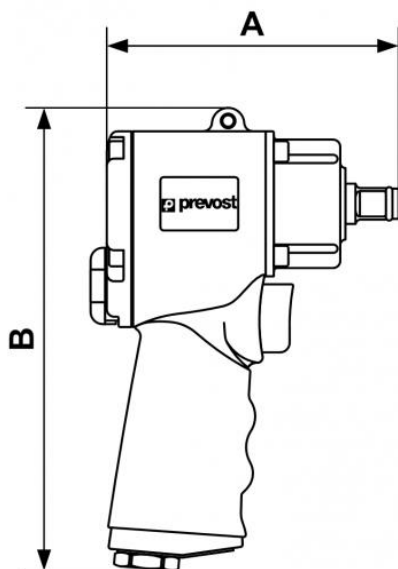
Compact air impact wrench - Single hammer



<p><u>Square driver</u> 1/2"</p>	<p><u>Max. unscrew torque (Nm)</u> 678</p>	<p><u>Consumption (l/min)</u> 133</p>	<p><u>Rotation speed (rpm)</u> 10 000</p>
<p><u>BSPT female thread</u> R 1/4</p>	<p><u>Sound level (dB(A))</u> 98</p>	<p><u>Weight (kg)</u> 1.55</p>	<p><u>Max operating pressure</u> 6,2 bar</p>
<p><u>Applications</u> Fitting and removal of bolts and screws</p>	<p><u>Highlight</u> Tightening capacity</p>	<p><u>Connection</u> Supplied with 3 adaptors: ISO 6150 B; European 7,4 mm; ARO 210</p>	

Description							
Reference	Square driver	Max. unscrew torque (Nm)	Consumption (l/min)	Rotation speed (rpm)	BSPT female thread	Sound level (dB(A))	Weight (kg)

TIW K120680	1/2"	678	133	10 000	R 1/4	98	1.55
----------------	------	-----	-----	--------	-------	----	------



Dimensions

Reference	A mm	B mm
TIW K120680	120	191