

## Polisher pistol, Ø 3"

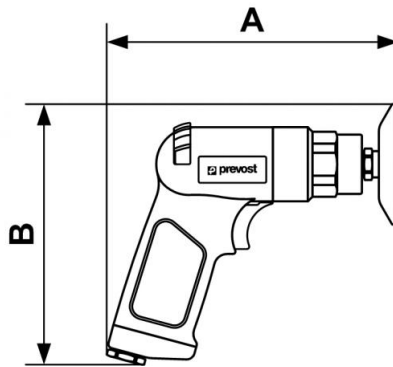


<b><u>Diameter (Plate diameter)</u></b> 75 mm 3"	<b><u>Consumption (l/min)</u></b> 113	<b><u>Power (CV - W)</u></b> 0.45 CV - 330 W	<b><u>Rotation speed (rpm)</u></b> 2100
<b><u>BSPT female thread</u></b> R 1/4	<b><u>Sound level (dB(A))</u></b> 80	<b><u>Weight (KG)</u></b> 0.77	<b><u>Max operating pressure</u></b> 6,2 bar
<b><u>Applications</u></b> Stripping, preparation prior to painting and polishing	<b><u>Highlight</u></b> Lightweight and easy to handle	<b><u>Connection</u></b> Supplied with 3 adaptors: ISO 6150 B; European 7,4 mm; ARO 210	

### Description

Reference	Diameter (Plate diameter)	Consumption (l/min)	Power (CV - W)	Rotation speed (rpm)	BSPT female thread	Sound level (dB(A))	Weight (KG)
-----------	---------------------------	---------------------	----------------	----------------------	--------------------	---------------------	-------------

<b>TPS 2100</b>	75 mm 3"	113	0.45 CV - 330 W	2100	R 1/4	80	0.77
-----------------	----------	-----	--------------------	------	-------	----	------



### Dimensions

Reference	A mm	B mm
<b>TPS 2100</b>	177	158