

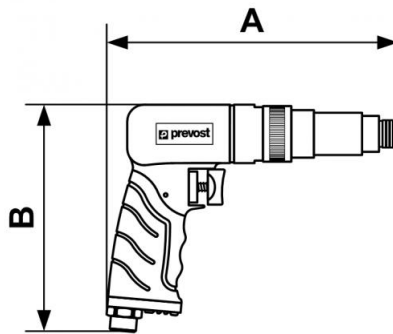
Screwdriver pistol



<p><u>Chuck type</u> 6.35 mm Hex. 1/4"</p>	<p><u>Torque (Nm)</u> 05 - 16</p>	<p><u>Consumption (l/min)</u> 113</p>	<p><u>Rotation speed (rpm)</u> 800</p>
<p><u>BSPT female thread</u> R 1/4</p>	<p><u>Sound level (dB(A))</u> 80</p>	<p><u>Weight (kg)</u> 1.35</p>	<p><u>Max operating pressure</u> 6,2 bar</p>
<p><u>Applications</u> Automotive and industrial sectors</p>	<p><u>Connection</u> Supplied with 3 adaptors: ISO 6150 B; European 7,4 mm; ARO 210</p>		

Description							
Reference	Chuck type	Torque (Nm)	Consumption (l/min)	Rotation speed (rpm)	BSPT female thread	Sound level (dB(A))	Weight (kg)
TSD P0800I	6.35 mm Hex. 1/4"	05 - 16	113	800	R 1/4	80	1.35

Reference	Chuck type	Torque (Nm)	Consumption (l/min)	Rotation speed (rpm)	BSPT female thread	Sound level (dB(A))	Weight (kg)
TSD P1800I	6.35 mm Hex. 1/4"	05 - 14	113	1800	R 1/4	80	1.2



Dimensions

Reference	A mm	B mm
TSD P0800I	210	160
TSD P1800I	210	160