

Limited torque composite air impact wrench - Twin hammer - In case



Square driver

1/2"

Max. screw/unscrew torque

R 814 F 108

Consumption (l/min)

125

Rotation speed (rpm)

R 8000 F 2500

BSPT female thread

R 1/4

Sound level (dB(A))

88

Weight (kg)

4.7

Max operating pressure

6,2 bar

Applications

Fitting and removal of bolts and screws

Highlight

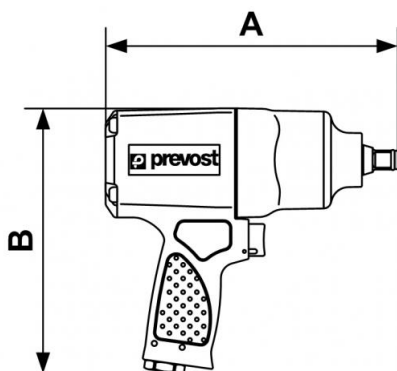
Tightening capacity

Connection

Supplied with 3 adaptors: ISO 6150 B; European 7,4 mm; ARO 210

Description

Reference	Square driver	Max. screw/unscrew torque	Consumption (l/min)	Rotation speed (rpm)	BSPT female thread	Sound level (dB(A))	Weight (kg)
TIW C12L815K	1/2"	R 814 F 108	125	R 8000 F 2500	R 1/4	88	4.7



Dimensions

Reference	A mm	B mm
TIW C12L815K	193	176