

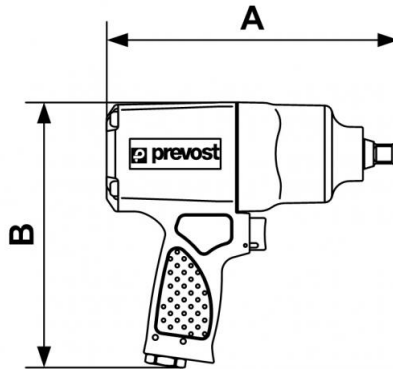
## Composite air impact wrench - Twin hammer - In case



<p><b><u>Square driver</u></b></p> <p>1/2"</p>	<p><b><u>Max. unscrew torque (Nm)</u></b></p> <p>949</p>	<p><b><u>Consumption (l/min)</u></b></p> <p>125</p>	<p><b><u>Rotation speed (rpm)</u></b></p> <p>8000</p>
<p><b><u>BSPT female thread</u></b></p> <p>R 1/4</p>	<p><b><u>Sound level (dB(A))</u></b></p> <p>92</p>	<p><b><u>Weight (kg)</u></b></p> <p>4.66</p>	<p><b><u>Max operating pressure</u></b></p> <p>6,2 bar</p>
<p><b><u>Applications</u></b></p> <p>Fitting and removal of bolts and screws</p>	<p><b><u>Highlight</u></b></p> <p>Tightening capacity</p>	<p><b><u>Connection</u></b></p> <p>Supplied with 3 adaptors: ISO 6150 B; European 7,4 mm; ARO 210</p>	

Description							
Reference	Square driver	Max. unscrew torque (Nm)	Consumption (l/min)	Rotation speed (rpm)	BSPT female thread	Sound level (dB(A))	Weight (kg)

TIW C120950K	1/2"	949	125	8000	R 1/4	92	4.66
-----------------	------	-----	-----	------	-------	----	------



### Dimensions

Reference	A mm	B mm
<b>TIW C120950K</b>	193	176