

Composite air impact wrench - Twin hammer - Reinforced twin hammer - In case



Square driver

1/2"

Max. unscrew torque (Nm)

1085

Consumption (l/min)

190

Rotation speed (rpm)

8000

BSPT female thread

R 1/4

Sound level (dB(A))

96

Weight (kg)

4.9

Max operating pressure

6,2 bar

Applications

Fitting and removal of bolts and screws

Highlight

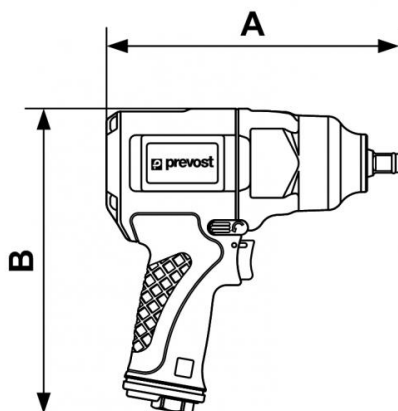
Tightening capacity

Connection

Supplied with 3 adaptors: ISO 6150 B; European 7,4 mm; ARO 210

Description

Reference	Square driver	Max. unscrew torque (Nm)	Consumption (l/min)	Rotation speed (rpm)	BSPT female thread	Sound level (dB(A))	Weight (kg)
TIW C121150K	1/2"	1085	190	8000	R 1/4	96	4.9



Dimensions

Reference	A mm	B mm
TIW C121150K	198	207