

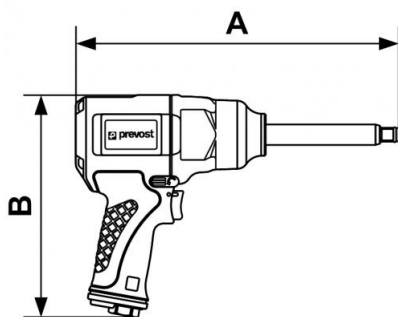
Composite air impact wrench with extended anvil - Reinforced twin hammer - In case



<p><u>Square driver</u></p> <p>3/4"</p>	<p><u>Max. unscrew torque (Nm)</u></p> <p>1763</p>	<p><u>Consumption (l/min)</u></p> <p>190</p>	<p><u>Rotation speed (rpm)</u></p> <p>6000</p>
<p><u>BSPT female thread</u></p> <p>R 3/8</p>	<p><u>Sound level (dB(A))</u></p> <p>97.8</p>	<p><u>Weight (kg)</u></p> <p>8.0</p>	<p><u>Max operating pressure</u></p> <p>6,2 bar</p>
<p><u>Applications</u></p> <p>Fitting and removal of bolts and screws</p>	<p><u>Highlight</u></p> <p>Tightening capacity</p>	<p><u>Connection</u></p> <p>Supplied with 3 adaptors: ISO 6150 B; European 7,4 mm; ARO 210</p>	

Description

Reference	Square driver	Max. unscrew torque (Nm)	Consumption (l/min)	Rotation speed (rpm)	BSPT female thread	Sound level (dB(A))	Weight (kg)
TIW C341630RK	3/4"	1763	190	6000	R 3/8	97.8	8.0



Dimensions

Reference	A mm	B mm
TIW C341630RK	349	223