

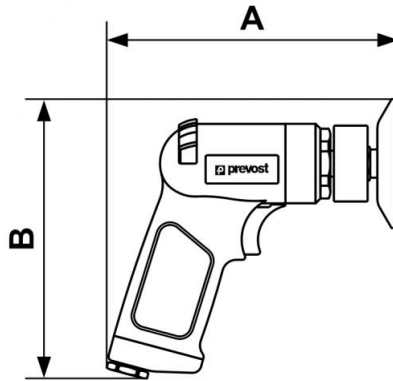
Air random orbital sander 3" - In case



<u>Offset (mm)</u> 3	<u>Diameter (plate)</u> 75 mm 3"	<u>Consumption (l/min)</u> 113	<u>Power</u> 0.45 CV - 330 W
<u>Rotation speed (rpm)</u> 16 000	<u>BSPT female thread</u> R 1/4	<u>Sound level (dB(A))</u> 80	<u>Weight (kg)</u> 2.0
<u>Max operating pressure</u> 6,2 bar	<u>Applications</u> Stripping and preparation prior to painting	<u>Highlight</u> Easy to use and low sound level	<u>Connection</u> Supplied with 3 adaptors: ISO 6150 B; European 7,4 mm; ARO 210

Description								
Reference	Offset (mm)	Diameter (plate)	Consumption (l/min)	Power	Rotation speed (rpm)	BSPT female thread	Sound level (dB(A))	Weight (kg)

TPS E16000K	3	75 mm 3"	113	0.45 CV - 330 W	16 000	R 1/4	80	2.0
----------------	---	----------	-----	--------------------	--------	-------	----	-----



Dimensions

Reference	A mm	B mm
TPS E16000K	165	158