

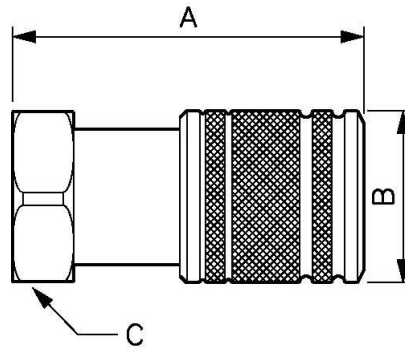
Hydraulic coupler with flat ends



<u>BSPP female thread</u> G 1/4	<u>Nominal Ø (mm)</u> 6	<u>Flow rate (nominal in l/min)</u> 12	<u>Max operating pressure (bar)</u> 300
<u>Profile</u> ISO F	<u>Technology</u> Ball lock	<u>Temperature</u> -25°C to +100°C	<u>Construction</u> Body: steel
<u>Applications</u> Industry	<u>Connection</u> Automatic		

Description				
Reference	BSPP female thread	Nominal Ø (mm)	Flow rate (nominal in l/min)	Max operating pressure (bar)
HFP 061101	G 1/4	6	12	300
HFP 131102	G 3/8	13	23	250
HFP 131103	G 1/2	13	23	250

Reference	BSPP female thread	Nominal Ø (mm)	Flow rate (nominal in l/min)	Max operating pressure (bar)
HFP 201103	G 1/2	20	45	250
HFP 201104	G 3/4	20	45	250
HFP 251104	G 3/4	25	100	250
HFP 251105	G 1	25	100	250



Dimensions

Reference	A mm	B mm	C mm
HFP 061101	52.5	27	22
HFP 131102	66	30	27
HFP 131103	71.5	30	27
HFP 201103	78.5	38	32
HFP 201104	84	38	36
HFP 251104	86	48	46
HFP 251105	87.5	48	46