

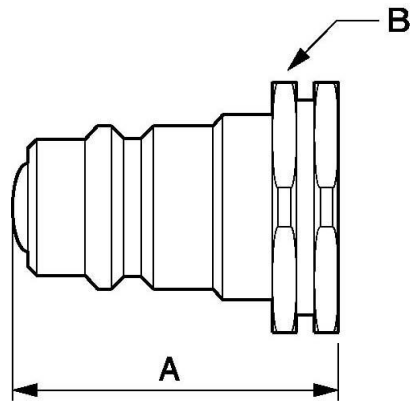
Interchangeable hydraulic adaptor with ball lock mechanism



<u>BSPP female thread</u> G 1/4	<u>Nominal Ø (mm)</u> 6	<u>Flow rate (nominal in l/min)</u> 12	<u>Max operating pressure (bar)</u> 300
<u>Profile</u> Interchangeable	<u>Technology</u> Ball lock	<u>Temperature</u> -25°C to +100°C	<u>Construction</u> Body: steel
<u>Applications</u> Industry, Agricultural	<u>Connection</u> Semi-automatic		

Description				
Reference	BSPP female thread	Nominal Ø (mm)	Flow rate (nominal in l/min)	Max operating pressure (bar)
HBG 066101	G 1/4	6	12	300
HBG 106102	G 3/8	10	23	250
HBG 136103	G 1/2	13	30	200

Reference	BSPP female thread	Nominal Ø (mm)	Flow rate (nominal in l/min)	Max operating pressure (bar)
HBG 206104	G 3/4	20	60	200



Dimensions

Reference	A mm	B mm
HBG 066101	38	19
HBG 106102	42.5	24
HBG 136103	48	27
HBG 206104	57	34