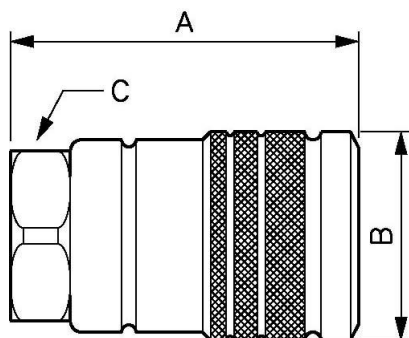


## Brake valve coupler



<p><b><u>Female thread</u></b></p> <p>M18 x 1.5</p>	<p><b><u>Nominal Ø (mm)</u></b></p> <p>13</p>	<p><b><u>Flow rate (nominal in l/min)</u></b></p> <p>24</p>	<p><b><u>Max operating pressure (bar)</u></b></p> <p>150</p>
<p><b><u>Profile</u></b></p> <p>Brake valve</p>	<p><b><u>Technology</u></b></p> <p>Ball lock</p>	<p><b><u>Temperature</u></b></p> <p>-25°C to +100°C</p>	<p><b><u>Construction</u></b></p> <p>Body: steel</p>
<p><b><u>Applications</u></b></p> <p>Agricultural</p>	<p><b><u>Connection</u></b></p> <p>Semi-automatic</p>		

Description				
Reference	Female thread	Nominal Ø (mm)	Flow rate (nominal in l/min)	Max operating pressure (bar)
<b>HVF 131181</b>	M18 x 1.5	13	24	150



### Dimensions

Reference	A mm	B mm	C mm
<b>HVF 131181</b>	55.5	44	27