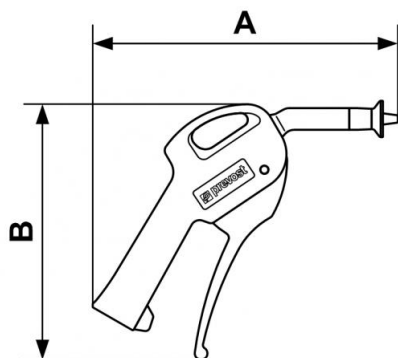


Blow gun with protective air curtain



<p><u>BSPP female thread</u> G 1/4</p>	<p><u>Air consumption (at 6 bar (Nm3/h))</u> 27</p>	<p><u>Sound level (at 6 bar (dBA))</u> 82</p>	<p><u>Nozzle length (mm)</u> 61</p>
<p><u>Shield Ø (mm)</u> 20</p>	<p><u>Max operating pressure</u> 10 bar</p>	<p><u>Construction</u> Polyamide composite body</p>	<p><u>Highlight</u> Adjust gradually blowing</p>

Description					
Reference	BSPP female thread	Air consumption (at 6 bar (Nm3/h))	Sound level (at 6 bar (dBA))	Nozzle length (mm)	Shield Ø (mm)
27102 ECR	G 1/4	27	82	61	20



Dimensions

Reference	A mm	B mm
27102 ECR	168	141