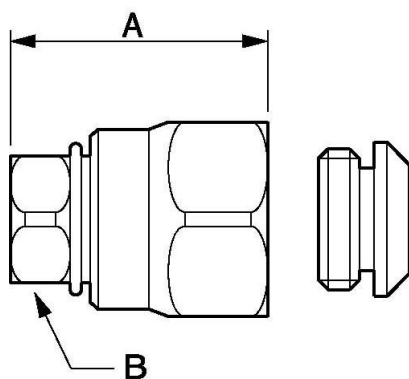


Valve coupler for agricultural machinery



<p><u>Female thread</u></p> <p>M18 x 1.5</p>	<p><u>Nominal Ø (mm)</u></p> <p>13</p>	<p><u>Flow rate (nominal in l/min)</u></p> <p>24</p>	<p><u>Max operating pressure (bar)</u></p> <p>200</p>
<p><u>Profile</u></p> <p>Interchangeable</p>	<p><u>Technology</u></p> <p>Screw lock</p>	<p><u>Temperature</u></p> <p>-25°C to +100°C</p>	<p><u>Construction</u></p> <p>Body: steel</p>
<p><u>Applications</u></p> <p>Agricultural</p>	<p><u>Highlight</u></p> <p>Pressurised connection</p>	<p><u>Connection</u></p> <p>Manual screw thread</p>	

Description				
Reference	Female thread	Nominal Ø (mm)	Flow rate (nominal in l/min)	Max operating pressure (bar)
HWV 131181	M18 x 1.5	13	24	200



Dimensions

Reference	A mm	B mm
HVV 131181	54	22