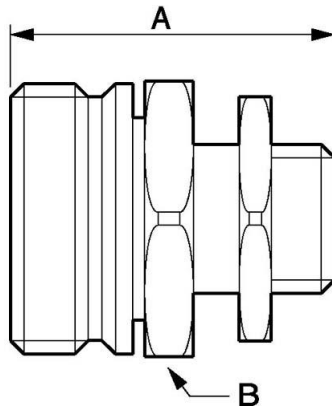


Valve adaptor for agricultural machinery



<p><u>Female thread</u> M18 x 1.5</p>	<p><u>Nominal Ø (mm)</u> 13</p>	<p><u>Flow rate (nominal in l/min)</u> 24</p>	<p><u>Max operating pressure (bar)</u> 200</p>
<p><u>Profile</u> Interchangeable</p>	<p><u>Technology</u> Screw lock</p>	<p><u>Temperature</u> -25°C to +100°C</p>	<p><u>Construction</u> Body: steel</p>
<p><u>Applications</u> Agricultural</p>	<p><u>Highlight</u> Pressurised connection</p>	<p><u>Connection</u> Manual screw thread</p>	

Description				
Reference	Female thread	Nominal Ø (mm)	Flow rate (nominal in l/min)	Max operating pressure (bar)
HWV 136181	M18 x 1.5	13	24	200



Dimensions

Reference	A mm	B mm
HVV 136181	49	36