

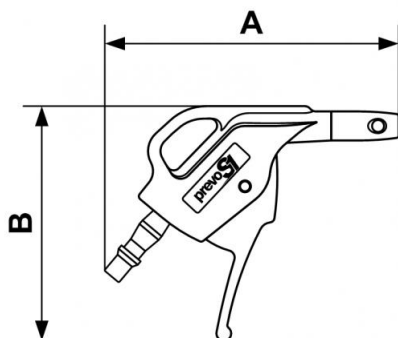
## prevoS1 blow gun with OSHA polyamide composite nozzle



|   |   |  |  |
|---|---|--|--|
| <p><b>Blowing force (at 6 bar (g))</b></p> <p>260</p> | <p><b>Dynamic pressure (at 10 mm at 6 bar (bar))</b></p> <p>1</p> | <p><b>Air consumption (at 6 bar (Nm3/h))</b></p> <p>13</p> | <p><b>Sound level (at 6 bar (dBA))</b></p> <p>87</p>       |
| <p><b>Profile</b></p> <p>British</p>                  | <p><b>Max operating pressure</b></p> <p>12 bar</p>                | <p><b>Temperature</b></p> <p>-15°C to +70°C</p>            | <p><b>Construction</b></p> <p>Polyamide composite body</p> |
| <p><b>Highlight</b></p> <p>Compact</p>                | <p><b>Connection</b></p> <p>Built-in adaptor</p>                  |  |  |

### Description

| Reference        | Blowing force (at 6 bar (g)) | Dynamic pressure (at 10 mm at 6 bar (bar)) | Air consumption (at 6 bar (Nm <sup>3</sup> /h)) | Sound level (at 6 bar (dBA)) |
|------------------|------------------------------|--|---|------------------------------|
| <b>BBG 06OSH</b> | 260                          | 1  | 13  | 87                           |



### Dimensions

| Reference        | A mm | B mm |
|------------------|------|------|
| <b>BBG 06OSH</b> | 121  | 97   |