

prevoS1 blow gun with OSHA polyamide composite nozzle - Pocket model



**Blowing force (at 6 bar
(g))**

168

**Dynamic pressure (at
10 mm at 6 bar (bar))**

0.5

**Air consumption (at 6
bar (Nm³/h))**

14

**Sound level (at 6 bar
(dBA))**

89

Profile

British

**Max operating
pressure**

12 bar

Temperature

-15°C to +70°C

Construction

Polyamide composite body

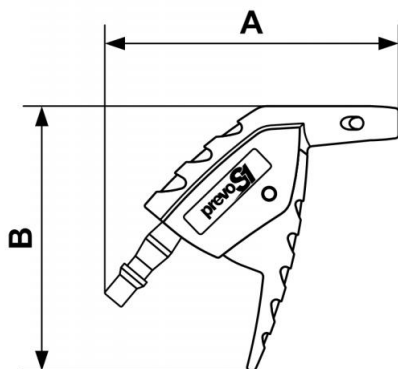
Highlight

Compact

Connection

Built-in adaptor

Description				
Reference	Blowing force (at 6 bar (g))	Dynamic pressure (at 10 mm at 6 bar (bar))	Air consumption (at 6 bar (Nm ³ /h))	Sound level (at 6 bar (dBA))
BPG 06OSH	168	0.5	14	89



Dimensions

Reference	A mm	B mm
BPG 06OSH	103	93