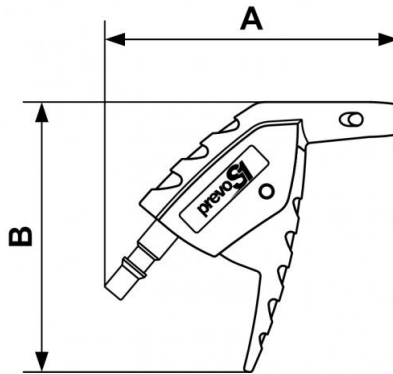


prevoS1 blow gun with OSHA polyamide composite nozzle - Pocket model



<p>Blowing force (at 6 bar (g))</p> <hr/> <p>168</p>	<p>Dynamic pressure (at 10 mm at 6 bar (bar))</p> <hr/> <p>0.5</p>	<p>Air consumption (at 6 bar (Nm³/h))</p> <hr/> <p>14</p>	<p>Sound level (at 6 bar (dBA))</p> <hr/> <p>89</p>
<p>Max operating pressure</p> <hr/> <p>12 bar</p>	<p>Temperature</p> <hr/> <p>-15°C to +70°C</p>	<p>Construction</p> <hr/> <p>Polyamide composite body</p>	<p>Highlight</p> <hr/> <p>Compact</p>
<p>Connection</p> <hr/> <p>Built-in adaptor</p>			

Description				
Reference	Blowing force (at 6 bar (g))	Dynamic pressure (at 10 mm at 6 bar (bar))	Air consumption (at 6 bar (Nm ³ /h))	Sound level (at 6 bar (dBA))
CPG 06OSH	168	0.5	14	89



Dimensions

Reference	A mm	B mm
CPG 060SH	101	93