

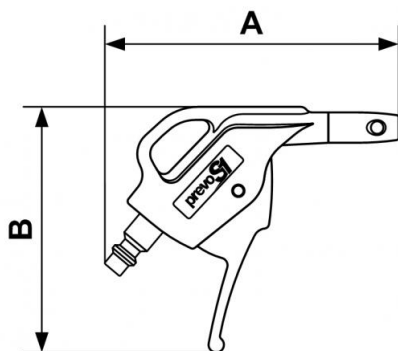
prevoS1 blow gun with OSHA polyamide composite nozzle



Blowing force (at 6 bar (g)) 260	Dynamic pressure (at 10 mm at 6 bar (bar)) 1	Air consumption (at 6 bar (Nm3/h)) 13	Sound level (at 6 bar (dBA)) 87
Max operating pressure 12 bar	Temperature -15°C to +70°C	Construction Polyamide composite body	Highlight Compact
Connection Built-in adaptor			

Description				
Reference	Blowing force (at 6 bar (g))	Dynamic pressure (at 10 mm at 6 bar (bar))	Air consumption (at 6 bar (Nm3/h))	Sound level (at 6 bar (dBA))

IBG 06OSH	260	1	13	87
-----------	-----	---	----	----



Dimensions

Reference	A mm	B mm
IBG 06OSH	116	97