

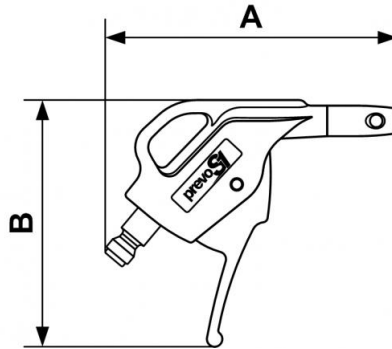
## prevoS1 blow gun with OSHA polyamide composite nozzle



<p><b>Blowing force (at 6 bar (g))</b></p> <hr/> <p>260</p>	<p><b>Dynamic pressure (at 10 mm at 6 bar (bar))</b></p> <hr/> <p>1</p>	<p><b>Air consumption (at 6 bar (Nm3/h))</b></p> <hr/> <p>13</p>	<p><b>Sound level (at 6 bar (dBA))</b></p> <hr/> <p>87</p>
<p><b>Max operating pressure</b></p> <hr/> <p>12 bar</p>	<p><b>Temperature</b></p> <hr/> <p>-15°C to +70°C</p>	<p><b>Construction</b></p> <hr/> <p>Polyamide composite body</p>	<p><b>Highlight</b></p> <hr/> <p>Compact</p>
<p><b>Connection</b></p> <hr/> <p>Built-in adaptor</p>			

### Description

Reference	Blowing force (at 6 bar (g))	Dynamic pressure (at 10 mm at 6 bar (bar))	Air consumption (at 6 bar (Nm <sup>3</sup> /h))	Sound level (at 6 bar (dBA))
<b>UBG 06OSH</b>	260	1	13	87



### Dimensions

Reference	A mm	B mm
<b>UBG 06OSH</b>	115	97