

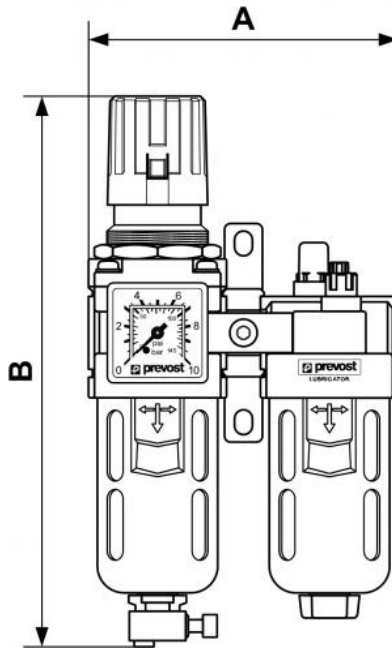
ALTO 2 - 2-piece-set - Filter-Regulator-Lubricator (gauge included) with wall bracket and prevoS1 safety quick release coupler



<u>BSPP female thread</u> G 3/8	<u>Flow rate (l/min at 7 bar ΔP)</u> 1 bar) = 750	<u>Max operating pressure (bar)</u> 12	<u>Filtration (μm)</u> 25
<u>Equipped with 1 coupling</u> BSI 06	<u>Temperature</u> +5°C to +50 °C	<u>Construction</u> Body : Aluminium Polycarbonate bowl with metallic protection	<u>Equipped with</u> Manual drain

Description						
Reference	BSPP female thread	Flow rate (l/min at 7 bar ΔP)	Max operating pressure (bar)	Filtration (μm)	Equipped with 1 coupling	Flow rate (l/min at 7 bar ΔP : 1 bar)

KTB SM2BS	G 3/8	1bar) = 750	12	25	BSI 06	833
KTB SM2ES	G 3/8	1bar) = 1250	12	25	ESI 07	
KTB SM2IS	G 3/8		12	25	ISI 06	



Dimensions

Reference	A mm	B mm
KTB SM2BS	124	220
KTB SM2ES	124	220
KTB SM2IS	4.882	8.661