

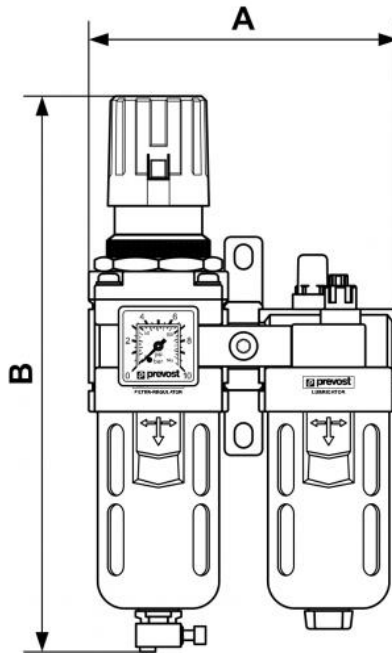
# ALTO 3 - 2-piece-set - Filter-Regulator-Lubricator (gauge included) with wall bracket and prevoS1 safety quick release coupler



<u><b>BSPP female thread</b></u> G 1/2	<u><b>Flow rate (l/min at 7 bar ΔP)</b></u> 1 bar) = 750	<u><b>Max operating pressure (bar)</b></u> 12	<u><b>Filtration (μm)</b></u> 25
<u><b>Equipped with 1 coupling</b></u> BSI 06	<u><b>Temperature</b></u> +5°C to +50 °C	<u><b>Construction</b></u> Body : Aluminium Polycarbonate bowl with metallic protection	<u><b>Equipped with</b></u> Manual drain

Description						
Reference	BSPP female thread	Flow rate (l/min at 7 bar ΔP)	Max operating pressure (bar)	Filtration (μm)	Equipped with 1 coupling	Flow rate (l/min at 7 bar ΔP ; P : 1 bar)
<b>KTB SM3BS</b>	G 1/2	1 bar) = 750	12	25	BSI 06	833

Reference	BSPP female thread	Flow rate (l/min at 7 bar $\Delta P$ )	Max operating pressure (bar)	Filtration ( $\mu m$ )	Equipped with 1 coupling	Flow rate (l/min at 7 bar $\Delta P$ ; P:1bar)
<b>KTB SM3ES</b>	G 1/2	1bar) = 1820	12	25	ESI 07	
<b>KTB SM3IS</b>	G 1/2		12	25	ISI 06	



### Dimensions

Reference	A mm	B mm
<b>KTB SM3BS</b>	156	280
<b>KTB SM3ES</b>	156	280
<b>KTB SM3IS</b>	6.142	11.024