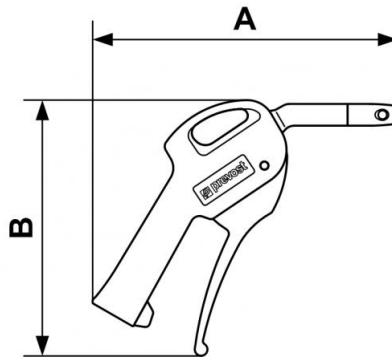


Blow gun (OSHA & Venturi effect)



<p><u>BSPP female thread</u> G 1/4</p>	<p><u>Air consumption (at 6 bar (Nm3/h))</u> 13</p>	<p><u>Sound level (at 6 bar (dBA))</u> 90</p>	<p><u>Nozzle length (mm)</u> 69</p>
<p><u>Max operating pressure</u> 10 bar</p>	<p><u>Construction</u> Polyamide composite body</p>	<p><u>Highlight</u> Adjust gradually blowing</p>	

Description				
Reference	BSPP female thread	Air consumption (at 6 bar (Nm3/h))	Sound level (at 6 bar (dBA))	Nozzle length (mm)
27102 OSH	G 1/4	13	90	69



Dimensions

Reference	A mm	B mm
27102 OSH	168	141