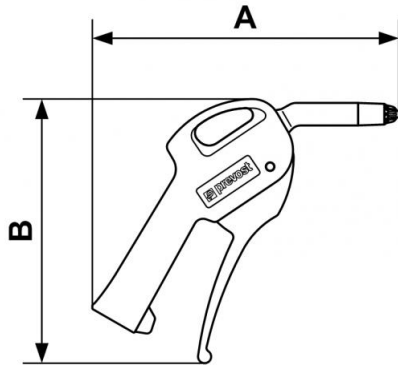


Blow gun with silent nozzle



<p><u>BSPF female thread</u></p> <p>G 1/4</p>	<p><u>Air consumption (at 6 bar (Nm3/h))</u></p> <p>12</p>	<p><u>Sound level (at 6 bar (dbA))</u></p> <p>77</p>	<p><u>Nozzle length (mm)</u></p> <p>56</p>
<p><u>Max operating pressure</u></p> <p>10 bar</p>	<p><u>Construction</u></p> <p>Polyamide composite body</p>	<p><u>Highlight</u></p> <p>Adjust gradually blowing</p>	

Description				
Reference	BSPF female thread	Air consumption (at 6 bar (Nm3/h))	Sound level (at 6 bar (dbA))	Nozzle length (mm)
27102 SIL	G 1/4	12	77	56



Dimensions

Reference	A mm	B mm
27102 SIL	163	141