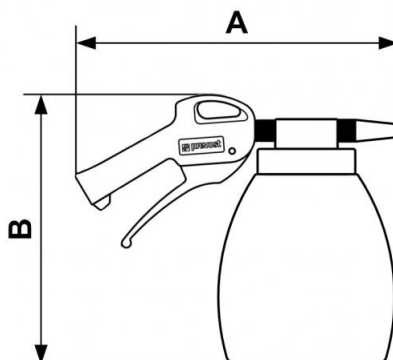


Sodablaster



<p><u>Inlet BSPP female thread</u> G 1/4</p>	<p><u>Capacity (l)</u> 1.2</p>	<p><u>Flow rate (at 8 bar (l/min))</u> 180</p>	<p><u>Construction (Tank)</u> High density polyethylene</p>
<p><u>Operating pressure</u> 6 to 12 bar</p>	<p><u>Temperature</u> -10°C to + 80°C</p>	<p><u>Construction</u> Acetal plastic body</p>	<p><u>Applications</u> Stripping - cleaning Automotive sector, industry</p>

Description				
Reference	Inlet BSPP female thread	Capacity (l)	Flow rate (at 8 bar (l/min))	Construction (Tank)
BG SODA1	G 1/4	1.2	180	High density polyethylene



Dimensions

Reference	A mm	B mm
BG SODA1	240	200