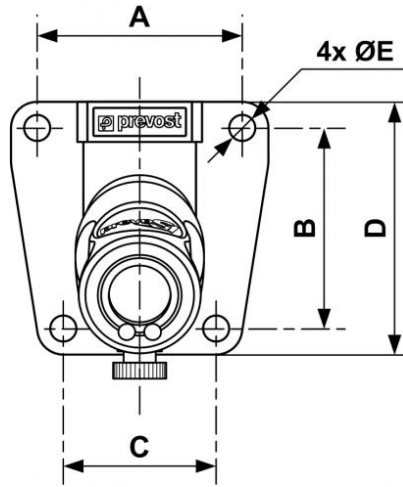


# Female thread one port wall bracket - 1 coupler and drain - ISO 6150 C Profile - ID passage 8 mm



<p><b><u>Inlet BSPP female thread</u></b> G 1/2</p>	<p><b><u>Outlet 1 coupling</u></b> CSI 08</p>	<p><b><u>Technology</u></b> "One push" safety system (avoids hose whip)</p>	<p><b><u>Operating pressure</u></b> 2 to 12 bar</p>
<p><b><u>Flow rate at 6 bar</u></b> 2028 l/min (<math>\Delta P = 0,6</math> bar)</p>	<p><b><u>ID Passage</u></b> 8 mm</p>	<p><b><u>Temperature</u></b> -15°C to +70°C</p>	<p><b><u>Construction</u></b> Composite body</p>
<p><b><u>Highlight</u></b> Anti-static Non scratch</p>			

Description		
Reference	Inlet BSPP female thread	Outlet 1 coupling
<b>CSI 081103WK</b>	G 1/2	CSI 08



### Dimensions

Reference	A mm	B mm	C mm	D mm	E mm
<b>CSI 081103WK</b>	51	50	38	63	6.5