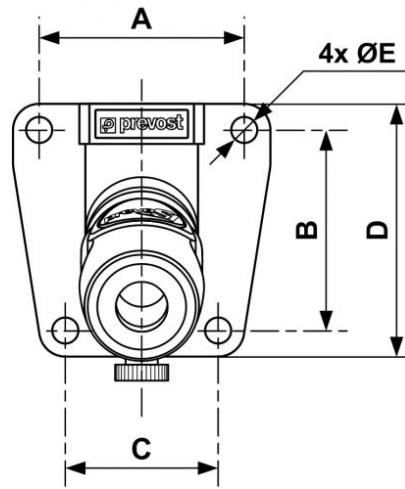


Female thread one port wall bracket - 1 coupler and drain - European Profile - ID passage 7.4 mm



<p><u>Inlet BSP female thread</u> G 1/2</p>	<p><u>Outlet 1 coupling</u> ESI 07</p>	<p><u>Technology</u> "One push" safety system (avoids hose whip)</p>	<p><u>Operating pressure</u> 2 to 12 bar</p>
<p><u>Flow rate at 6 bar</u> 1 820 l/min ($\Delta P = 0,6$ bar)</p>	<p><u>ID Passage</u> 7,4 mm</p>	<p><u>Temperature</u> -15°C to +70°C</p>	<p><u>Construction</u> Composite body</p>
<p><u>Highlight</u> Anti-static Non scratch</p>			

Description		
Reference	Inlet BSP female thread	Outlet 1 coupling
ESI 071103WK	G 1/2	ESI 07



Dimensions

Reference	A mm	B mm	C mm	D mm	E mm
ESI 071103WK	51	50	38	63	6.5