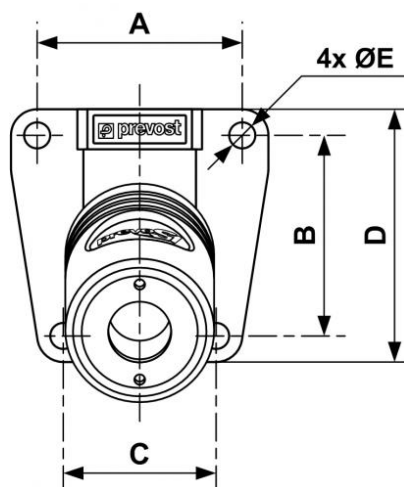


Female thread one port wall bracket - 1 coupler and drain - European Profile - ID passage 10.4 mm



| | | | |
|--|--|---|---|
| <p><u>Inlet BPP female thread</u> G 1/2</p> | <p><u>Outlet 1 coupling</u> ESI 11</p> | <p><u>Profile</u> European 10,4 mm</p> | <p><u>Technology</u> "One push" safety system (avoids hose whip)</p> |
| <p><u>Operating pressure</u> 2 to 16 bar</p> | <p><u>Flow rate at 6 bar</u> 3530 l/min ($\Delta P = 0,6$ bar)</p> | <p><u>ID Passage</u> 10,4 mm</p> | <p><u>Temperature</u> -15°C to +70°C</p> |
| <p><u>Construction</u> Body : Stainless steel</p> | <p><u>Highlight</u> Anti-static Excellent efficiency Harsh conditions</p> | | |

| Description | | |
|---------------------|-------------------------|-------------------|
| Reference | Inlet BPP female thread | Outlet 1 coupling |
| ESI 111103WK | G 1/2 | ESI 11 |



Dimensions

| Reference | A mm | B mm | C mm | D mm | E mm |
|-------------------------|------|------|------|------|------|
| ESI 111103WK | 51 | 50 | 38 | 63 | 6.5 |